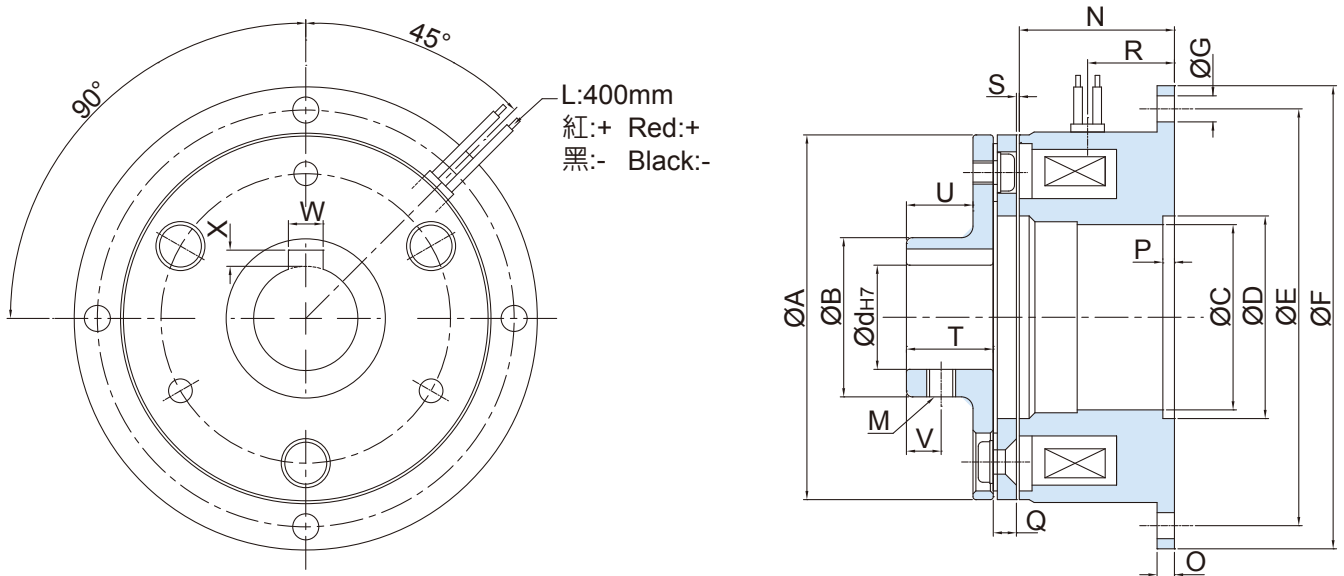


PB1 Series

永磁式煞車器附凸輪 Permanent Magnet Brake with Long Hub



型號 MODEL	PB1S04AA	PB10S1AA	PB10S2AA	PB10S4AA	PB10S9AA	PB11S8AA	PB13S5AA	PB1007AA	PB1014AA	
靜摩擦扭力 Kgm (Nm) Static torque Kgm (Nm)	0.04 (0.4)	0.1 (1.0)	0.2 (2.0)	0.45 (4.5)	0.9 (9.0)	1.8 (18)	3.5 (35)	7.2 (72)	14 (140)	
功率Power [24V] (W)	8	10	11	12	18	24	26	40	50	
徑方向 Radial	A	28	32	40	50	63	80	100	125	160
	B	13.5	15	17	24	27.5	31	41	49	67
	C	11	12.5	19	24	32	38	48.5	58	75
	D	-	-	-	26	35	42	52	62	80
	E	33.5	38	47	58	72	90	112	137	175
	F	39	45	54	65	80	100	125	150	190
	G	4-3.4	4-3.4	4-3.4	4-3.4	4-4.5	4-5.5	4-6.5	4-6.5	4-9.0
軸方向 Axial	M	1-M3	1-M3	1-M4	1-M4	2-M5	2-M5	2-M6	2-M6	2-M8
	N	19.5	21.5	22.5	28.5	26.8	29.9	33.9	37.8	42.6
	O	2	2	2	2	3	3	4	5	6
	P	-	-	-	1.8	2	2	2.5	3.5	3.5
	Q	2.2	2.1	2.7	3	4	4.5	6.4	7.2	9.4
	R	10.5	12	12	14	15	16.5	19	23	26
	S	0.15~0.20	0.15~.20	0.15~0.25	0.25~0.35	0.25~0.35	0.25~0.35	0.25~0.35	0.40~0.50	0.75~0.85
	T	7	10	12	12	15	20	25	30	38
	U	5	8	9.5	9	11.5	16	20	24	31
V	2.5	4	4	5	6	8	10	12	14	
鍵槽 Keyway	W	2	2	3	5	6	6	8	7	10
	X	1	1	1.4	2.3	2.8	2.8	3.3	3.3	3.8
孔徑 Bore	d	6	6	10	15	18	20	30	30	40